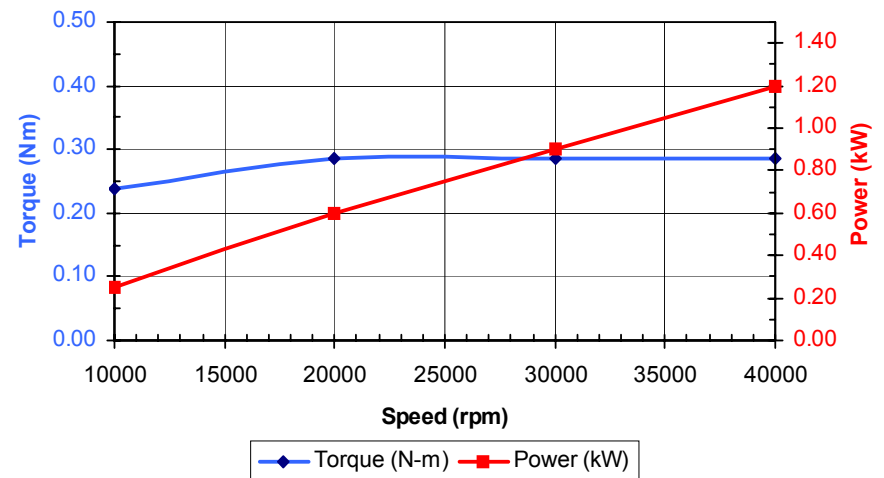


Spindle Datasheet

SC 4060



MOTOR	
Speed Range	10 000 – 40 000 rpm
Torque (S1-100%)	0.3 N-m [2.7 in-lb]
Power (S1-100%)	1.2 kW [1.6 hp] at 40 000 rpm
Frequency Range	167 to 667 Hz
Voltage Range	50 to 200 VAC
Maximum Amperage	5.5 amps at full load (S1-100%)
Motor Type	AC asynchronous, 2-pole, 3-phase induction motor
SPINDLE DRIVE	
Drive Type	Type PCS 410 frequency converter
BEARINGS	
Bearings	Three (3) angular-contact, hybrid-ceramic bearings, ABEC 7/9 precision
Mounting	Front duplex set and single rear bearing, mounted in “O” arrangement with shaft length compensation to provide constant spring pre-load
Lubrication	Permanent grease lubrication
Labyrinth air-seal	0.2 bar [3 psi] positive air pressure at bearing seal
SHAFT DATA	
Runout Accuracy	≤ 2 µm [0.00008”] radial runout in spindle taper.
Balance Quality	≤ 2 mm/sec radial vibration velocity at maximum speed
SPINDLE COOLING	
Cooling	Liquid (1 part Dowtherm® SR1 to 2 parts distilled water) circulation through spindle housing using Type 7136 / 7137 cooling system.
TOOL CLAMPING	
Toolchange	Quick manual toolchange. Shaft locking system using built-in pneumatic cylinder, 5.5 bar [80 psi] minimum air pressure required.
Collets	Type SRP 20L collets [12 mm, 1/2” maximum collet capacity]
SENSORS	
Motor Protection	PTC thermistor in stator
Speed Sensing	tachometer
CONNECTIONS	
	<ul style="list-style-type: none"> liquid cooling (2 x Ø6 mm tubes) labyrinth air seal (1 x Ø4 mm tube) shaft lock (1 x Ø4 mm tube) power cable (1 meter length with connector)
MOUNTING / WEIGHT	
Housing Diameter	Ø 61.91 (-0.007 / - 0.013) standard or Ø 60 h5 optional
Mount Type	Type 9060 plane mount
Net Weight	3.9 kg [8.5 lb]




Spindle Datasheet

SC 4060



SC 4060 Standard Equipment:

<p>SC 4060 spindle (w/ 1-meter power cable and Ø61.91mm housing) Cat. #550329</p> 	<p>Documentation:</p> <ul style="list-style-type: none"> 1 operating instructions #332380 1 safety instructions #329139
<p>Cleaning Kit:</p> <ul style="list-style-type: none"> 1 taper wiper #018094 	<p>Wrenches:</p> <ul style="list-style-type: none"> 1 - 27mm open-end wrench #412589

SC 4060 System Components (ordered separately):

Type PCS 410 Frequency Converter:

Cat. #: 332767



Type 7136 / 7137 Cooling System:

Cat. #332370 (115 V)
Cat. #332371 (230 V)



Pneumatic Switch Box:


Cat. #332581



SC 4060 Accessories (ordered separately):

Type SRP 20L collets:

3mm	Cat. #017073		
4mm	Cat. #017074		
5mm	Cat. #017075		
6mm	Cat. #017076		
7mm	Cat. #017077		
8mm	Cat. #017078		
9mm	Cat. #017079	1/8"	Cat. #017083
10mm	Cat. #017080	1/4"	Cat. #017084
11mm	Cat. #017081	3/8"	Cat. #017097
12mm	Cat. #017082	1/2"	Cat. #017094




Type 9060 plane mount:

Cat. #406706 (Ø 61.91mm)
Cat. #406705 (Ø 60mm)



Extension Cables:

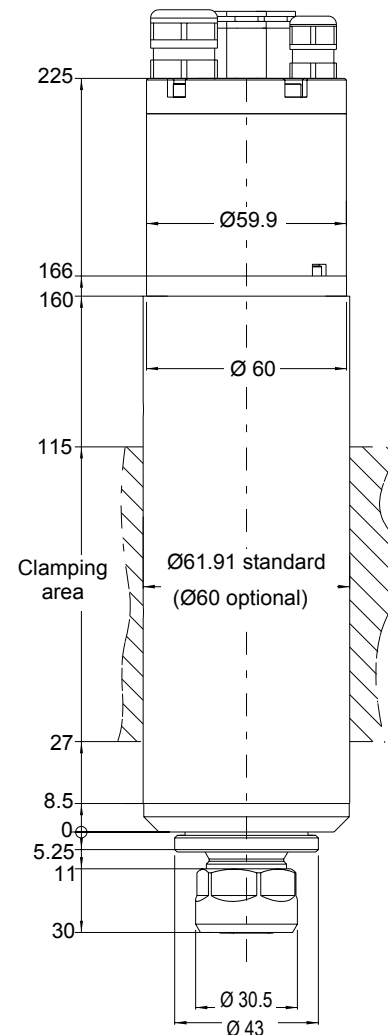
Cat. #018030, 3m (9.6 ft)
Cat. #018031, 5m (16 ft)



Base Tubing Kit:

Cat. #332589 (for liquid cooling, shaft-lock, and labyrinth air-seal connections)

- 10m Ø4mm tubing (#328847)
- 10m Ø6mm tubing (#328853)
- 1 tubing cutter (#329378)
- 2 adapter fittings (#330646)



Fischer Precise USA, Inc.
3715 Blue River Avenue
Racine, WI U.S.A. 53405
Phone: (262) 632-6173
Fax: (262) 632-6730
Email: info@fischerprecise.com
www.fischerprecise.com